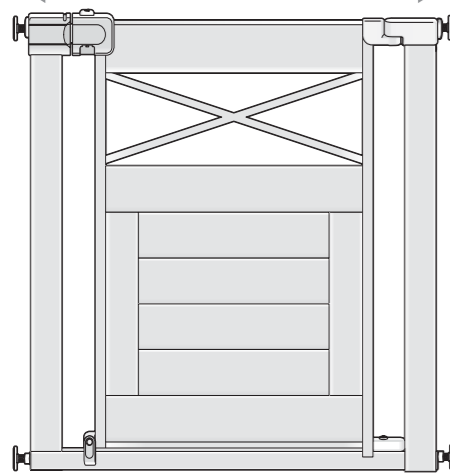


Safety 1st

min 29" - max 37"



This file will become
GA147 Farmhouse Walk-Through Gate

Easy Install Modern Farmhouse Gate

Age: 6 to 24 months.
Adult assembly required.

Keep this instruction sheet for future reference, as it contains important information.

WARNING:

- Children have died or been seriously injured when gates are not securely installed.
- **TO PREVENT FALLS, NEVER use pressure installed gate at top of stairs.**
 - Keep small parts away from children during assembly.
 - **ALWAYS** install and use gates as directed using all required parts.
 - You **MUST** install wall cups to keep the gate in place. Without wall cups, child can push out and escape.
 - **STOP** using when a child can climb over or dislodge the gate.
 - Use only with the locking/latching mechanism securely engaged.
 - **NEVER** use to keep child away from pool.
 - Discontinue use of the gate if it becomes damaged, broken, or disassembled.
 - Intended for use with children from 6 months through 24 months.
 - Install according to manufacturer's instructions.
 - **ALWAYS** install as close to the floor as possible.
 - This product will not necessarily prevent all accidents. **NEVER** leave child unattended.
 - Gate is not meant to replace proper adult supervision.

CAUTION:

- **ALWAYS** check regularly to ensure gate and locking systems are secure. Tighten locking hardware as necessary. **DO NOT** over-tighten.
- **DO NOT** use gate if any parts are missing or broken. Contact Dorel Juvenile Group for replacement parts and instructional literature if needed.
- **DO NOT** use any replacement parts not provided by Dorel Juvenile Group.
- **DO NOT** substitute parts or try to modify the product in any way. Parts not provided and approved by Dorel Juvenile Group may result in an unsafe product.

Care and Maintenance:

DO NOT immerse in water. To clean, wipe with a damp cloth and dry.

1 Lay out all parts

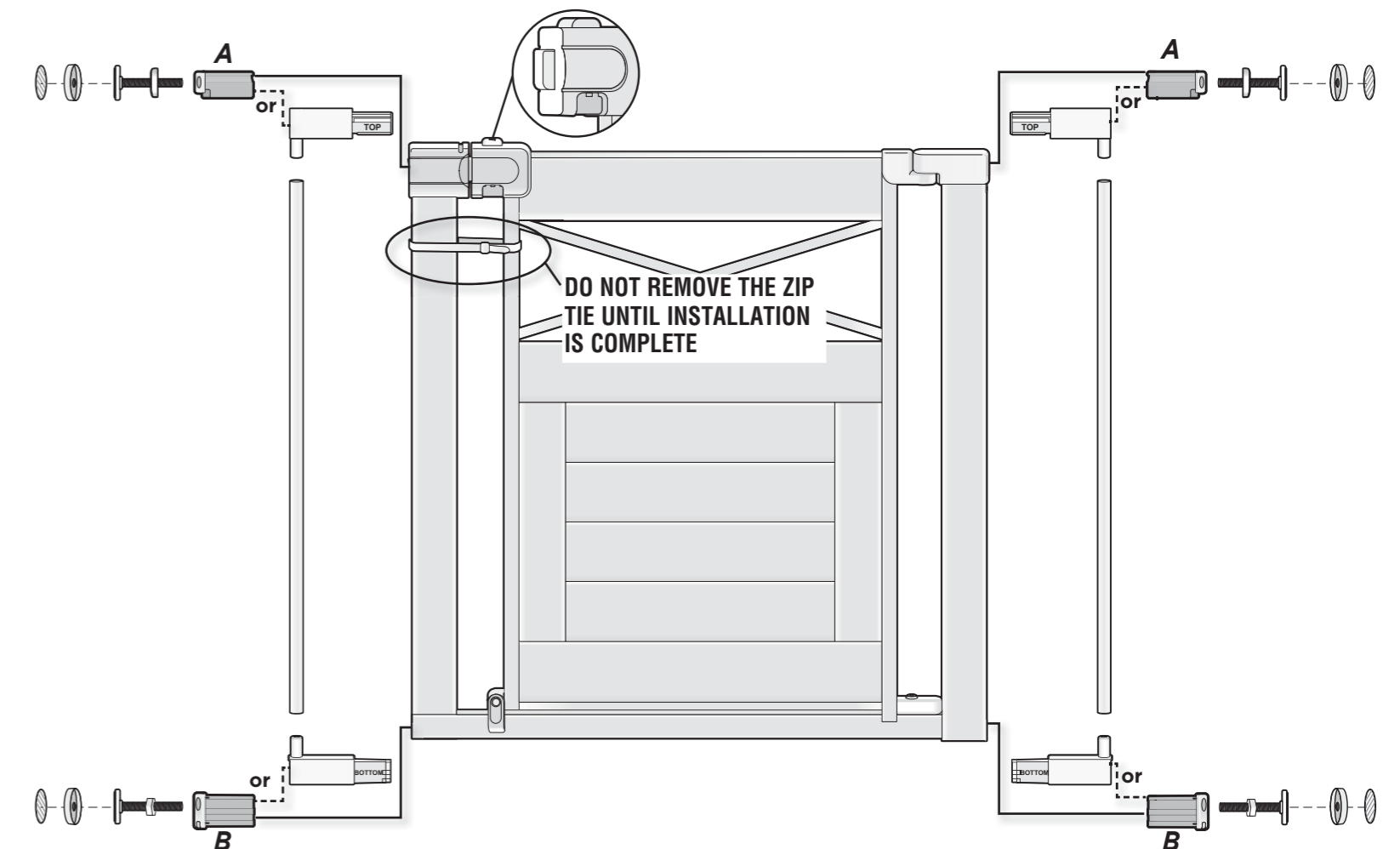
Parts List:

- Basic Gate (1)
- 6" Extensions (2)
- Top Extension Caps (2) **A**
- Bottom Extension Caps (2) **B**
- Upper Pressure Bumpers (4)
- Lower Pressure Bumpers (4)
- Wall Cups (4)
- Adhesive Pads (4)

Tools Needed:

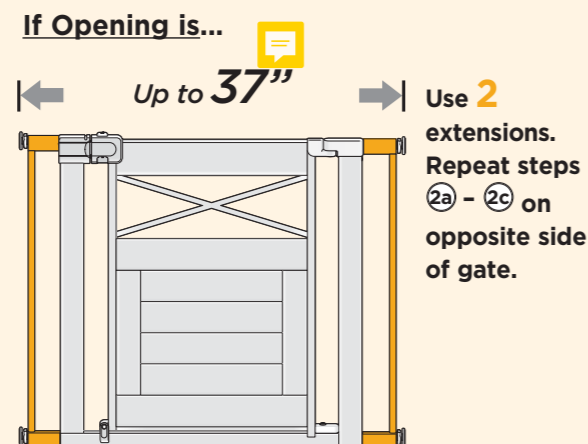
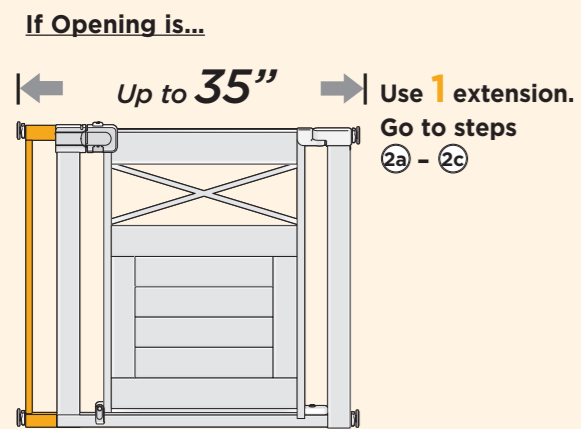
- Measuring Tape (not included)
- Pencil (not included)
- Wrench (included)

- Remove all contents from packaging and discard box, and/or poly bags.
- Lay out all parts.
- Do not return this product to the place of purchase. To address any issues or for helpful information on assembly/installation or use, please visit us at www.safety1st.com to chat with us there. You can also text us at (812) 652-2525 or call Consumer Care at (800) 544-1108. Have ready the model number (**GA138, GA141**) and date code (manufacture date) located on inside of gate panel.

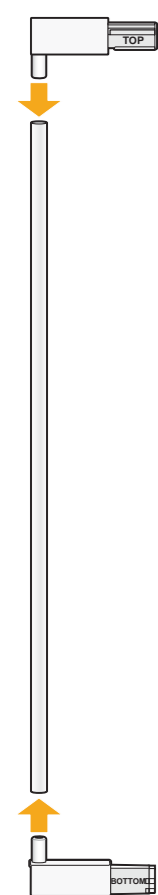


2 Measure opening

If Opening is up to 32" go to step 3. No extensions are required.



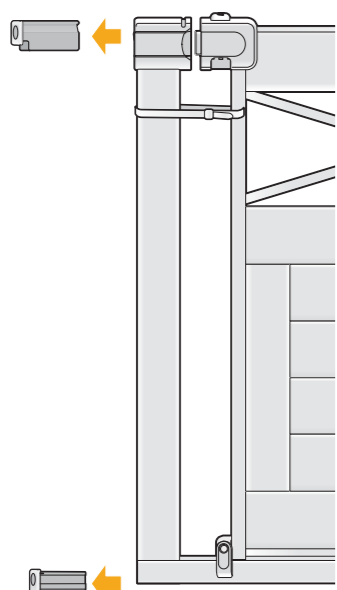
2a Assemble extension



2b Remove extension caps

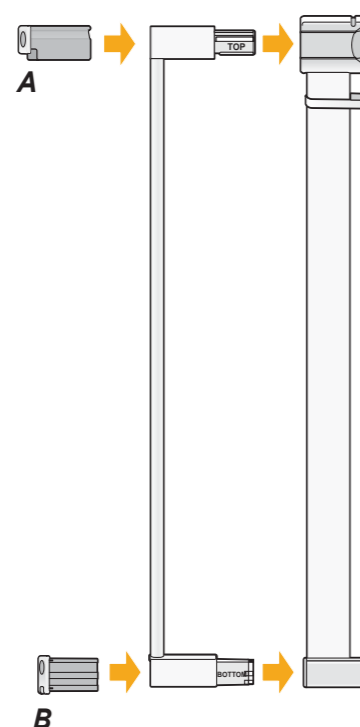
TIP: Use the bolt side of the bumper to gently extract the extension caps from the gate.

Remove extension caps from gate. Keep them near by; you will need them for final assembly.



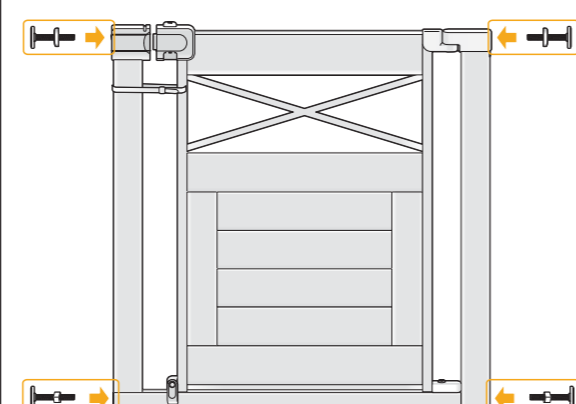
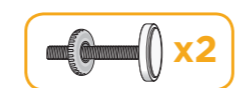
2c Add extension

If you are using an extension, always add it to the gate **FIRST**. Insert extension into gate. Insert extension caps. Add extension to other side of gate if needed.

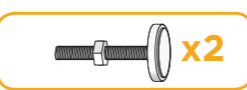


3 Insert pressure bumpers into 4 corners

Upper bumpers:



Lower bumpers:



4 Install wall cups



Waiting for feedback as to whether we trace the wall cups one at a time or 4 at once.

4a Remove backing side.

4e Insert bumper into gate.

NOTE: Prior to adhering step 5 to install gate into wall cups.

Fasten each wall cup with screw.

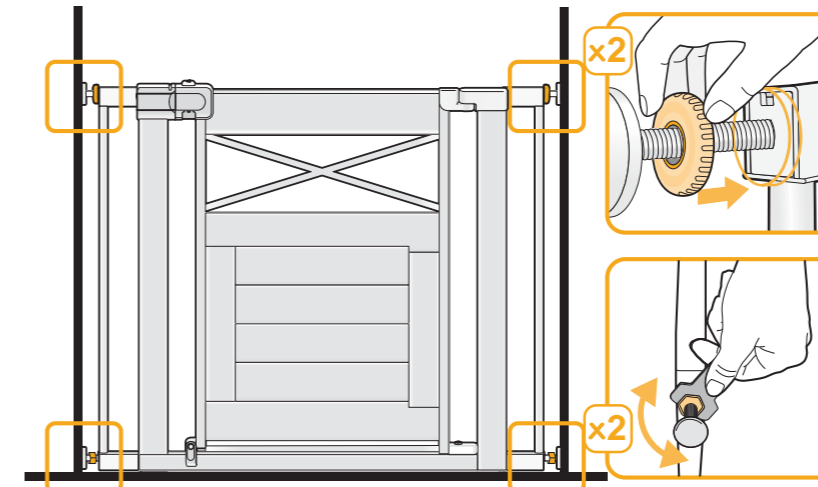
TIP: Think about which side you'll want the handle on during daily use when you position the gate.

5 Install in doorway

Position gate flush to floor and centered in the doorway.

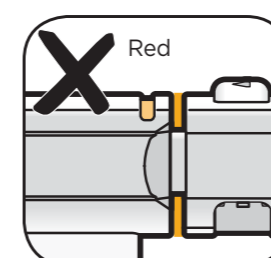
Top pressure bumpers: Hand tighten until gate is firmly in place.

Bottom pressure bumpers: Use wrench provided to tighten nuts.



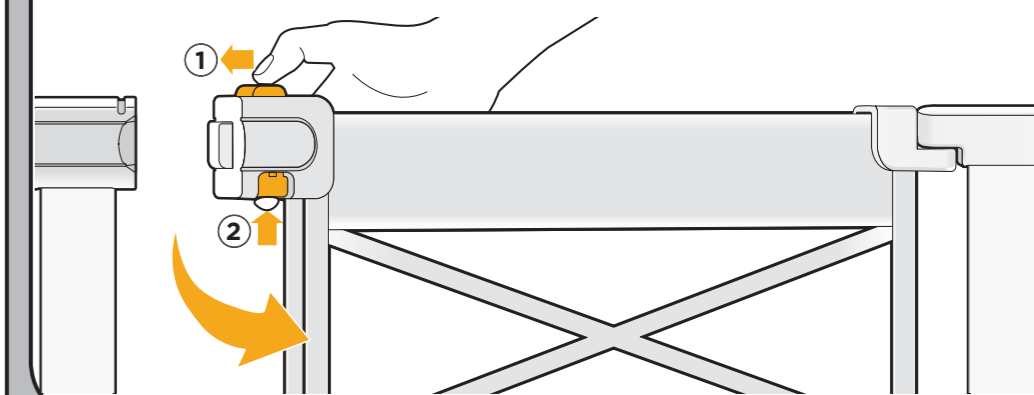
6 Check and re-check the indicator

Be sure to re-check the indicator regularly and re-tighten the bolts if you see any red when gate is closed. **If red is showing, your gate is not pressurized.**



To Use

7 Remove zip tie, remove 'STOP' sign, raise swing stops and open gate



Optional: Using the swing stops

Gate will swing both ways unless one of the swing stops is down. Gate will not swing at all if both swing stops are down.

